



# ACCESSORY SETUP INSTRUCTION

## ALUMINUM SKID PLATE - 1UP -- PN 9DS#-804300-6000

VALID FOR: MY2020 CFORCE 600 / 625 (1-UP Only)


**BEFORE YOU BEGIN:** Read and understand the instructions before starting any work. Make sure that all parts are ready and that you have all the tools required for assembly.


**NOTE:** CFMOTO shall not be liable for any damage caused by incorrect assembly. CFMOTO recommends that all original accessories be assembled by an authorized CFMOTO dealer.

Before assembly, park the vehicle on a flat surface, put the transmission gear into Park (P) and turn off the key switch.

**Zhejiang CFMOTO Power Co., Ltd.** All rights reserved. Reproduction of this document, even in part, as well as copying of all kinds, is permitted only with the express written permission of the copyright owner.

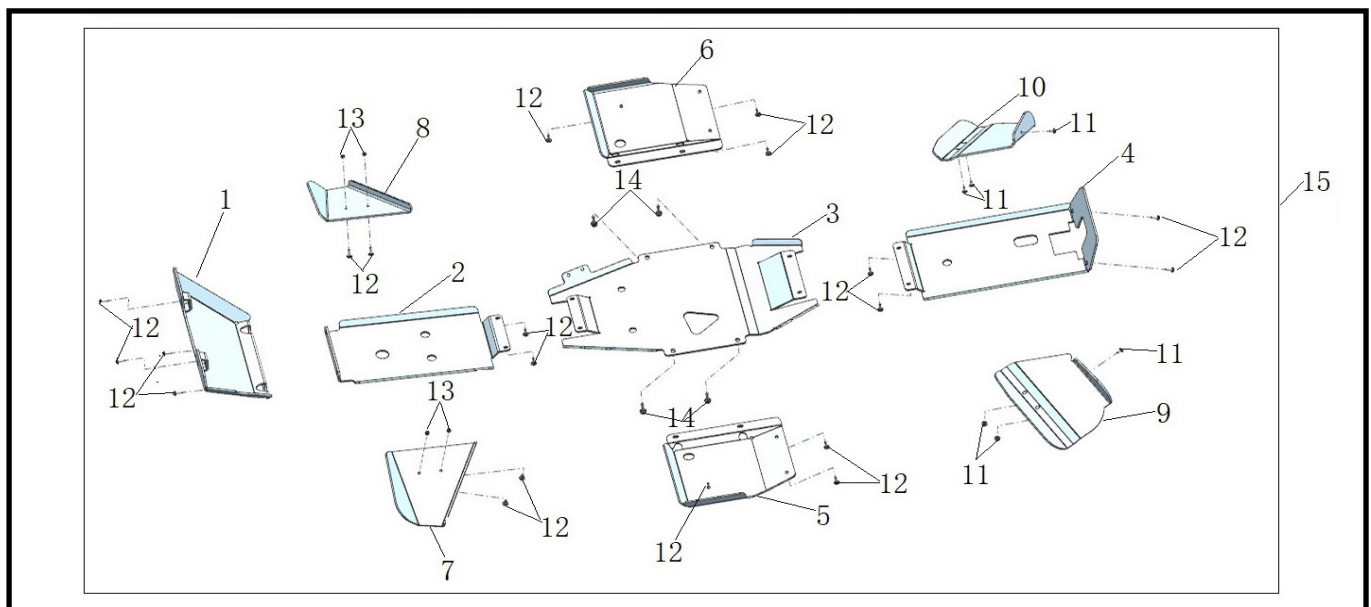
## MEANING OF SYMBOLS

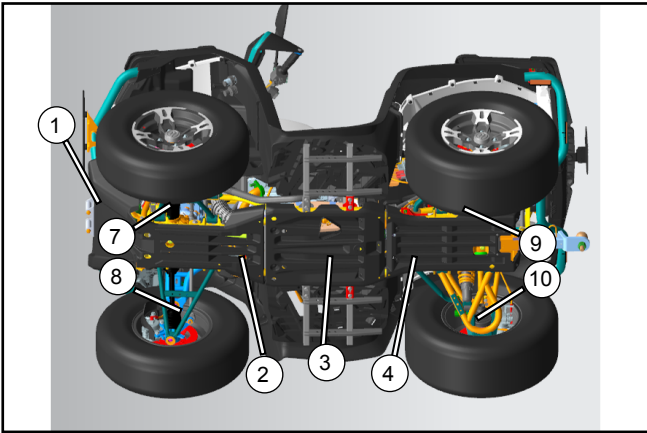
 - Indicates information with more details or tips.

 - Indicates information of warning or danger.

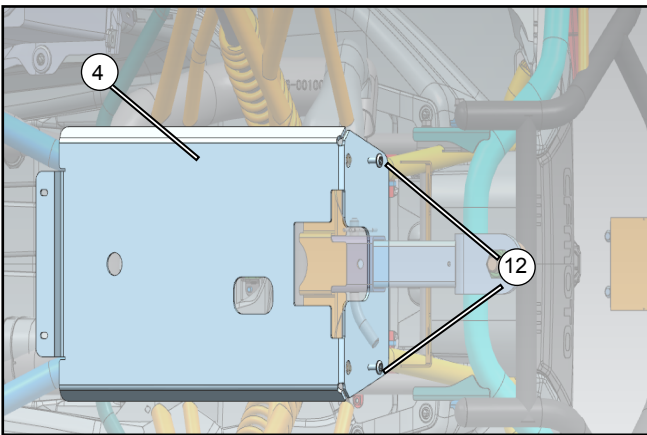
## PARTS LIST:

Item	PART NAME	PART NUMBER	QTY.	REMARK
1	WINCH ARMOR	9DS#-804310-6000	1	
2	FRONT SKID PLATE	9DS#-804301-6000	1	
3	CENTER SKID PLATE	9DS#-804302-6000	1	
4	REAR SKID PLATE	9DS#-804303-6000	1	
5	LEFT SKID PLATE	9DS#-804304-6000	1	
6	RIGHT SKID PLATE	9DS#-804305-6000	1	
7	FRONT A-ARM GUARD (LH)	9DS#-804306-6000	1	
8	FRONT A-ARM GUARD (RH)	9DS#-804307-6000	1	
9	REAR A-ARM GUARD (LH)	9DS#-804308-6000	1	
10	REAR A-ARM GUARD (RH)	9DS#-804309-6000	1	
11	INNER HEX SCREW M6×12	6KM6-040702-8000	6	
12	INNER HEX SCREW M6×20	A000-040703	20	
13	NUT M6	30202-060110	4	
14	BOLT M8×25	30006-080025810	4	
15	ALUMINUM SKID PLATE - 1UP	9DS#-804300-6000	1	



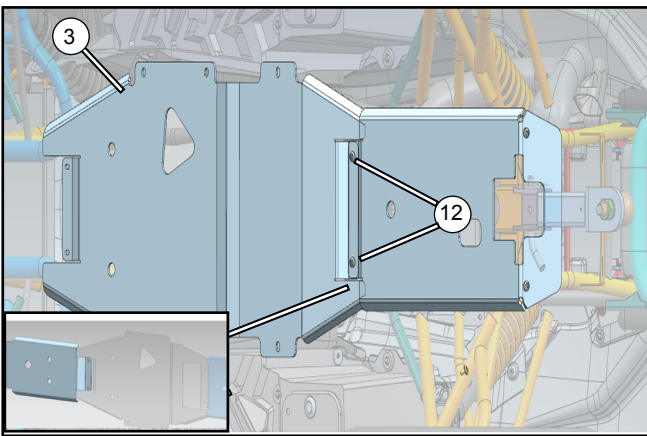


// Remove the existing winch armor (1), left and right front A-arm guards (7)(8), front skid plate (2), center skid plate (3), rear skid plate (4), left and right rear A-arm guards (9)(10).



// Install the rear skid plate (4) to the corresponding position at the bottom of the vehicle with screws (12) and finger-tighten.

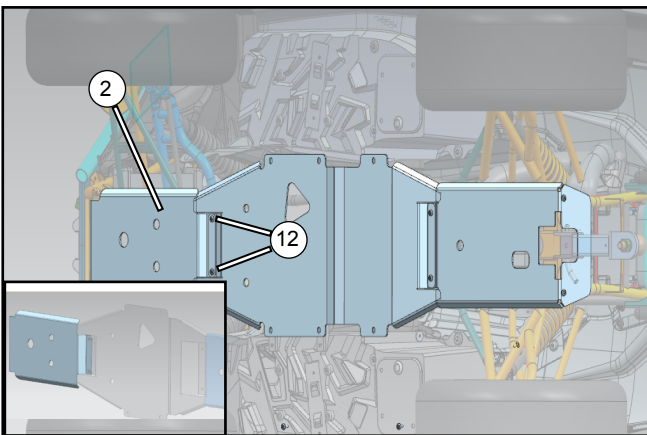
INNER HEX SCREW	M6×20	A000-040703	8-10N.m
-----------------	-------	-------------	---------



// Install the center skid plate (3) to the corresponding position with screws (12) and finger-tighten.

**i** See the insert image for the assembly relationship of skid plate.

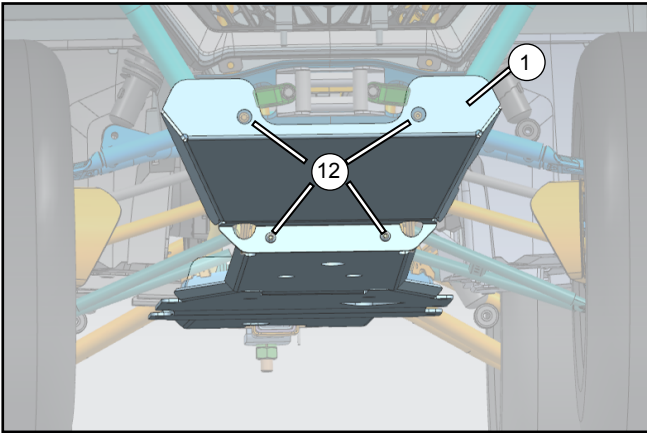
INNER HEX SCREW	M6×20	A000-040703	8-10N.m
-----------------	-------	-------------	---------



// Install the front skid plate (2) to the corresponding position with screws (12) and finger-tighten.

**i** See the insert image for the assembly relationship of skid plate.

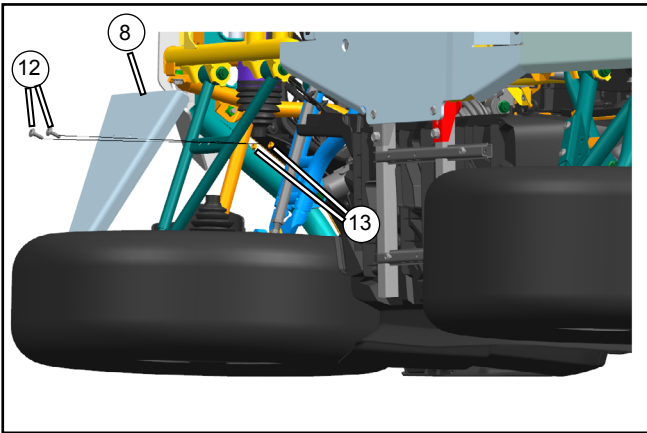
INNER HEX SCREW	M6×20	A000-040703	8-10N.m
-----------------	-------	-------------	---------



// Install the winch armor (1) to the corresponding position, connect the front skid plate, and tighten it with screws (12). Torque the fasteners of the rear, center, and front skid plates to specification.

**i** Torque all screws in the previous steps in turn.

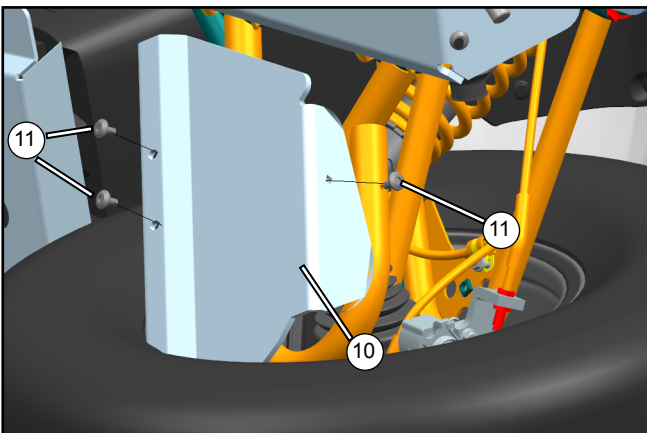
INNER HEX SCREW	M6×20	A000-040703	8-10N.m
-----------------	-------	-------------	---------



// Install the front A-arm guards (7,8) to the front A-arms using the screws (12) and nuts (13). Torque the fasteners to specification.

**i** Front right A-arm guard (8) is shown.

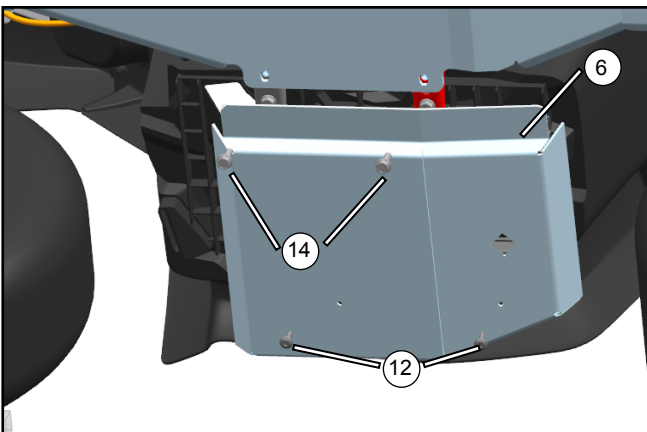
INNER HEX SCREW	M6×20	A000-040703	8-10N.m
NUT	M6	30202-060110	/



Install the rear A-arm guards (9,10) to the rear A-arms using screws (11). Torque the fasteners to specification.

**i** Rear right A-arm guard (10) is shown.

INNER HEX SCREW	M6×12	6KM6-040702-8000	8-10N.m
-----------------	-------	------------------	---------



// Attach the left and right skid plates (5,6) to the sides of the center skid plate with bolts (14), then install screws (12). Torque the fasteners to specification.

**i** Right skid plate (6) is shown.

BOLT	M8X25	30006-080025810	20-30N.m
INNER HEX SCREW	M6×20	A000-040703	8-10N.m